

# Güttler SuperMaxx® 30 / 50 / 60

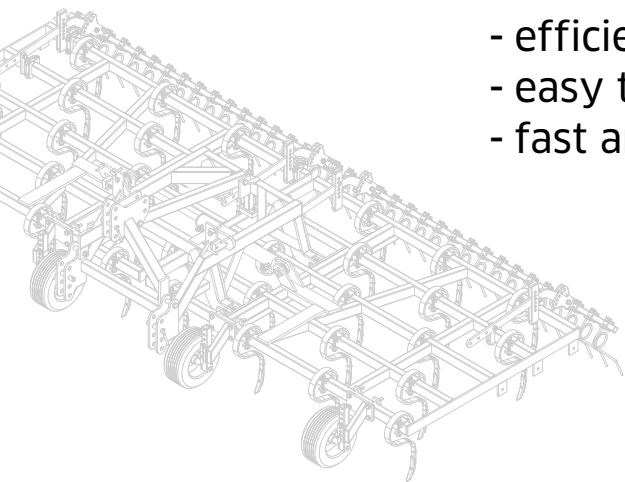
5 rows  
Without  
a roller



## SuperMaxx®

The machine for every season,  
providing maximum ground coverage

- ★ 5 rows - high output
- ★ Without a roller
  - efficient and protects the soil
  - easy to pull and fuel-efficient
  - fast and manoeuvrable



**GÜTTLER®**  
Leading in Soil Structure

# The easy-to-pull alternative to the cultivator



## Double the ground coverage

The SuperMaxx with 5 m working width requires the same amount of traction force as a 3-metre cultivator. Depending on the type of soil, 100 to 140 bhp is sufficient to run the machine. What is more, the SuperMaxx saves 40% of the turning time on headland.

## Fuel consumption cut by half

Thanks to the flat and finely-crumbled processing of the soil, only 5 l/ha diesel is required and therefore less energy is needed.

- \* **Save money and gain a perfect seedbed with the SuperMaxx**

## Heavy cultivators – require a higher traction force and are less effective



## Heavy cultivators need heavy rollers

A large amount of soil is moved by the cultivator tines and large amounts of energy are consumed. The subsequent crumbling and re-compaction carried out by the rollers requires additional force.

A working depth of only one centimetre deeper means that 150 tonnes more soil must be moved per hectare.

- \* **If you do not produce clods, you also won't need to crumble and re-compact them afterwards.**

# Stubble processing that is highly effective



## Stimulate germination of volunteer cereals

In the first pass, consisting of even stubble processing to a depth of 3 to 5 cm, the capillaries are broken, fine tilth created and the straw is incorporated into the soil. At the same time, straw is dispersed more evenly by the harrow.

As a result, volunteer cereals and weed seeds are shaken at the root and gently worked into the soil. The microclimate under the cover of the straw retains moisture in the soil and creates the ideal germination conditions and for complete development.



Next, soil is gradually worked deeper. The soil is processed to become fine and crumbly, and straw mixed in so that it decomposes closer to the surface.

- \* **Saves water**
- \* **Complete breakdown of straw**
- \* **Creating optimal soil structure is both fast and effective**

# Incorporation of slurry



## Allow the soil to breathe

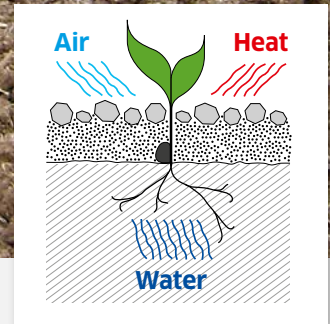
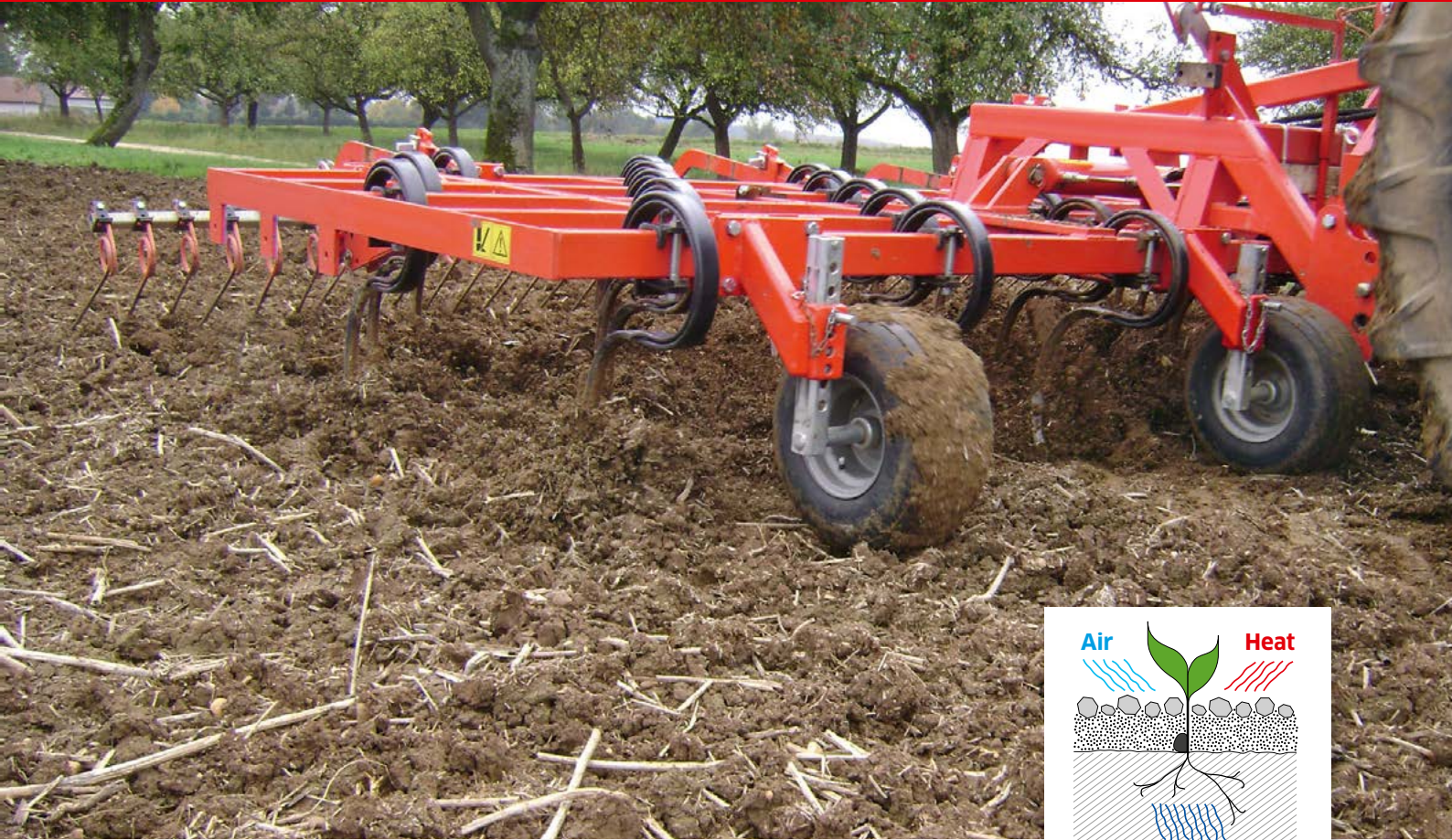
When it comes to applying slurry and manure, tankers and spreaders may have a disruptive effect - the extremely moist soil is kneaded and compacted, thereby damaging the structure of the soil.

The SuperMaxx mixes in the slurry and leaves behind a loose, even surface, which enables the soil to aerate and retains the soil structure intact.



When slurry and manure is applied, stubble processing or seedbed preparation may be carried out at the same time.

# Working to protect the soil



## Always the perfect working depth

Four robust wheels stabilise the front of the SuperMaxx. At the rear, the tractor top link ensures it remains balanced.

This is a tried-and-tested principle: in the case of harvesting machines, depth rolls mounted ahead of the cutting blades is very well established means of maintaining the working depth.



## Re-compaction during sowing

Re-compaction is achieved in a targeted way when the soil retains the optimum amount of moisture during sowing and Gütler is able to supply the appropriate front unit or the correct press roller. With the right front unit, the tractor rolls easily across a level and firm soil, the unladen front axle creates only even tracks. This active front weight means that fewer passes are required and saves time and costs, thereby protecting the tractor, the sowing technology and health of the driver.

Without a rear roller, the transformation of the soil into mud during seedbed preparation is prevented and the soil structure is retained.

# Let your soils breathe



## Let air into your soil

In the majority of cases, we have to work with damp soils – whether it is during the productive spring or mulch sowing in autumn, the soil has little opportunity to dry out.

Does it make sense to loosen damp soil only to ‘compress’ it again in the same pass?

## Re-compaction when sowing

It is better to allow the loosened soils to breathe initially. Re-compaction can then take place shortly before sowing. The soil no longer turns into mud, but crumbles perfectly in accordance with its natural structure. The results: a stable, crumbly structure and an ideal seedbed!



- ◀ Güttler provides a complete range of rollers for re-compaction, whatever the soil type, purpose or need. Güttler is the pioneer of re-compaction. When Fritz Güttler developed and patented the prism rings® in 1976, the guiding principle was the primary idea of creating the ideal soil structure for a seedbed. The sheep's hoof effect of the Güttler rollers has since become a well-known concept. Our lightweight rollers made from Synthetic Ultra have been tried and tested and have proved themselves, even in very difficult working conditions. Because “soil structure” has always been our driving motivation, we purposefully separate re-compaction and processing with the SuperMaxx.

**Re-compaction and soil structuring – our guiding principles for more than 35 years!**

# Seedbed preparation



## The better seedbed

The SuperMaxx crumbles and mixes very intensively. It produces a finely-crumbled and settled seedbed. The robust harrow continues to crumble and level the soil, depositing large soil particles on the surface, which improves erosion protection.

It creates a perfect seedbed with the most productive soil structure. Under extremely damp conditions and in the spring, this effect is even more pronounced. The soil has time to ventilate, dry and warm up more quickly.

## Characteristic of the Güttler roller: an ideal seedbed

### Firm and fine underneath

- Seed is able to access to the water-bearing capillaries
- Fine earth in the vicinity of the seeds = optimum seed establishment



### Crumbly and loose on top

- Quicker warming of the seedbed
- Seed can "breathe" (gas exchange)
- Very best protection against capping
- Wind erosion is prevented

### Result:

- Faster field emergence of cultures
- Weeds grow more quickly in one area = more effective crop protection
- Healthy crops, reliable yields

# Weed control



## Effective weed control

The SuperMaxx removes weeds from the soil. The harrow frees their root work from the earth and leaves the weeds laying loosely on the surface, where they dry out. At the same time, thanks to working the soil, the weed

seeds stored in the soil are stimulated to germinate. The enormous ground coverage and the reduced fuel consumption (5 l/ha) enable repeated processing and therefore effective weed treatment!



- \* **Optimum germination conditions with relatively little outlay = effective weed control**
- \* **Prevents resistance to herbicides**
- \* **Enables more effective crop protection.**



# Fast and manoeuvrable



SuperMaxx 5 m, tractor (97 bhp) only lightly weighed down with ballast

## Less lifting force – fast and manoeuvrable on the headlands and on the road

Despite its robust construction, the SuperMaxx places remarkably few demands on the lifting force of the tractor.

A 4-cylinder tractor is perfectly sufficient for the 5-metre SuperMaxx.

The compact construction requires only moderate front weight – even with light tractors.



## 2.40-metre transport width

The narrow transport width enables problem-free driving on the road.

## Adjustable headstock attachment

The headstock offers four mounting positions, thereby ensuring that a range of tractors of any size are catered for.

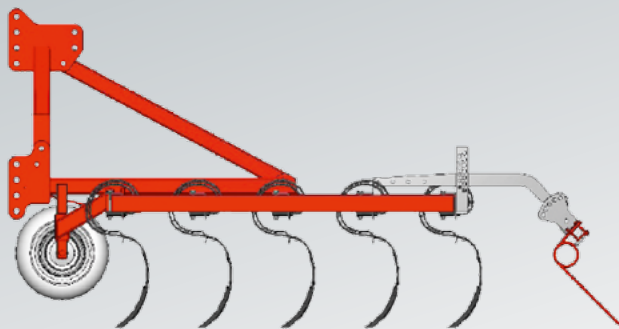
# Robust and flexible



More robust than  
70 x 12 tines

## Extremely robust 45 x 12 tines with double spring

Thanks to the narrow design, the tines are flexible and vibrate strongly, thereby guaranteeing optimal earth movement. In the event of increased load, the tines are supported by the double spring and maintain the highest possible level of stability and service life. The double spring supports the tines, protecting them from sideward movement.



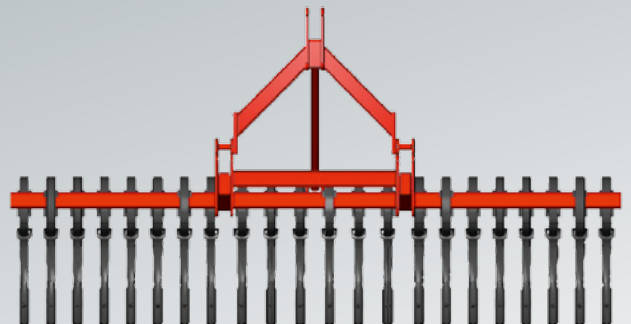
## 5-row frame construction 560 mm frame clearance

The SuperMaxx sprung tines are assembled on 5 rows without constriction and have a frame clearance of 560 mm. As a result, excellent passage of organic material and soil is guaranteed.



## 55 mm wide narrow point (standard) or 150 mm wide stubble share (optional)

The narrow reversible point breaks and mixes the soil intensively and creates a fine earth. At the same time, it is extremely effective on agricultural crop residues. An excellent working result can therefore be achieved, using comparatively less fuel. If the roots of the weeds need to be completely cut off in only a single level pass, then there is the option to retrofit the stubble share.



## Tine spacing of 13 cm

This comparatively narrow tine spacing enables the soil to be processed much more effectively, thereby ensuring a more satisfactory outcome.

# The SuperMaxx



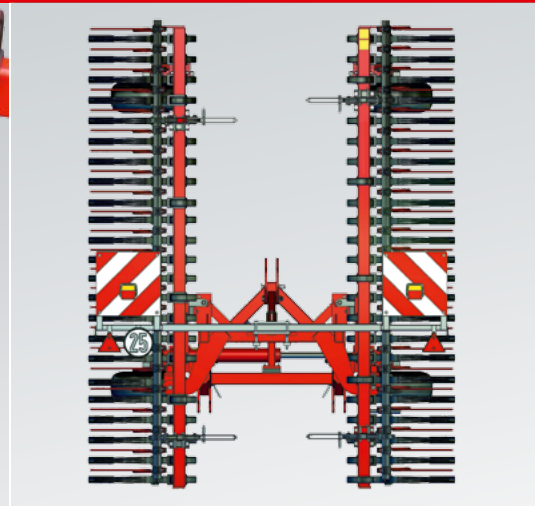
## SuperMaxx 12 mm Ø harrow tines

The height and inclination of this single-layer harrow can be adjusted, depending on the working conditions in any given situation. Can be used for distributing straw, combing out weeds, levelling and crumbling.



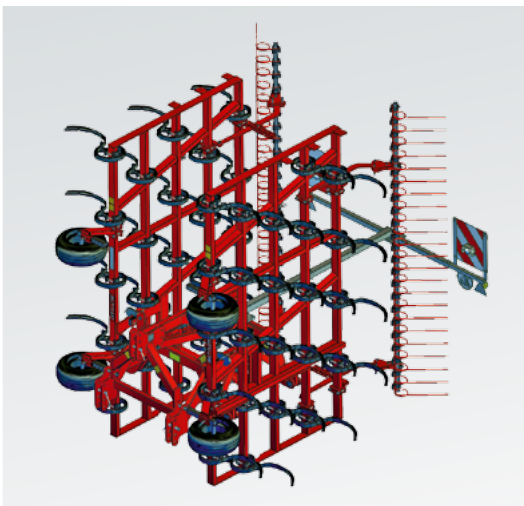
## 18.5 x 8.5-8 PR support wheels

The robust support wheels guide the SuperMaxx at the desired working depth. These are deployed accurately to depths of between 0 to 15 cm.



## Rear road lighting and marker boards

For safe road transport, lighting and marker boards are available.



## 2.40-metre transport width

The SuperMaxx is folded together during transportation and can be stored securely and compactly in that position.

## SuperMaxx® - Technical Data

Type	Working width	Transport width	Comments	Number of tines	Weight
SuperMaxx 30	3.00 m	3.00 m fixed	1 pair of support wheels	22 tines	730 kg
SuperMaxx 50	5.00 m	2.40 m hydraulic folding	2 pairs of support wheels	38 tines	1,500 kg
SuperMaxx 60	6.00 m	2.40 m hydraulic folding	2 pairs of support wheels	46 tines	1,710 kg

# Your soil deserves the best!



The Güttler roller with the golden hoof.

*Designed by Güttler*

## Re-compaction and soil structure – our guiding principles

Güttler is the pioneer of re-compaction. When Fritz Güttler developed and patented the prism rings® in 1976, the guiding principle was the primary idea of creating the ideal soil structure for a seedbed. The *sheep's hoof effect* of the Güttler rollers has since become a well-known concept.

We are not just mechanical engineers: you and your crop farming requirements are our primary concern. It is precisely because we understand the needs of crop farming that we are able to manufacture the necessary technical solutions. So why not take advantage of our many decades of experience?

**The name Güttler stands for quality that you can count on in machine and crop production!**



### Mayor, Master and Magnum trailed rollers

For the perfect seedbed: protects against capping and erosion, protects the soil, unbeatable self-cleaning! Excellent on pastureland.



### Simplex prism roller®

The solution when it comes to power harrowing: made from synthetic materials, the Simplex is up to 50% lighter, which is what makes it unique. Non-contact scrapers and easy to pull!



### Avant and Duplex Front Press

Produces an improved seedbed with fewer passes and less diesel. Conserves the tractor, device and soil!



**GreenMaster**, the 5-in-1 system for pastureland and cultivation: the first effective device to combat common panicles. Modular construction system: a harrow and roller can be used separately or combined.



**Matador**, the multi-functional device for front and rear, for fields and pastureland, incorporating a strong front sowing roller, a pastureland roller at the rear. Used to combat the European corn borer.



### Mediana

This medium-weight seed roller from Güttler protects both the tractor and the soil. Perfect for root crops, vegetables grain and rapeseed, for front and rear!

Images and technical data are provided for information only and are non-binding. Güttler reserves the right to make changes without notice.

## Healthy crops – reliable yields!

**WOX**  
AGRI SERVICES

71 Station Road  
Stannington  
Morpeth  
Northumberland  
NE61 6NQ

Tel: 01670 789 020  
Mob: 07801 989223  
Fax: 01670 789494  
info@woxagriservices.co.uk  
www.woxagriservices.co.uk



**GÜTTLER**®  
Leading in Soil Structure

